

# Battery Powered Clock User Instructions



## Acroprint Model 125 Time Clocks

Thank you for purchasing the Acroprint Battery Powered Time Recorder.

This instruction sheet details the following Acroprint Battery Powered Recorders:

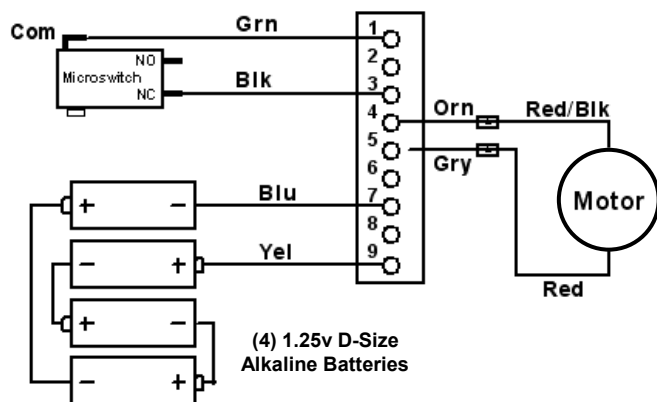
1. BP125-6 For use with four (4) standard "D" cell Alkaline batteries (batteries not included).
2. BP125-R6 For use with four (4) Rechargeable 1.5 Volt DC Batteries. Equipped with built-in Trickle Battery Charger. Recorder will operate for several days without AC power after charging. The batteries should last 4 to 5 years. For use with 110 Volt or 220 Volt AC power (select desired voltage when ordering).
3. BP125-12 For use in a Motor Vehicle with 12 Volt DC Battery or for use in extremely cold climates with a 12 Volt DC Lead Acid battery (battery not included).

### General Instructions

Instructions for removing the case cover, setting the recorder, changing the ribbon and general maintenance, are detailed in the enclosed "General Service Instructions".

### BP125-6: 6-Volt Battery Powered Time Clock

The Battery Powered Acroprint Recorder is designed to operate on four (4) 1.5 VDC "D" cell batteries. Acroprint recommends the use of Alkaline Batteries, which will provide several months of reliable operation.



125 Battery Powered (6V DC)

### Installing Batteries

To install the batteries:

- Remove the two (2) Butterfly Nuts at the top of the Frame and pivot the clock mechanism forward on the Pivot Screws (See Figure 1).
- The Battery Holder is mounted on the inside of the back case. The top battery is installed with the positive terminal on the left, as indicated on the battery holder. The positive terminal on the other three batteries will alternate as shown on the battery holder.
- The recorder will advance one (1) minute within sixty (60) seconds.

Note: If two batteries are improperly installed, the light on the circuit board will glow RED (See Figure 2).

### Weak Battery Warning

When the batteries become discharged the recorder will beep. Acroprint recommends the batteries be replaced within (5) days of hearing the beeping or the recorder may lose time or stop altogether.

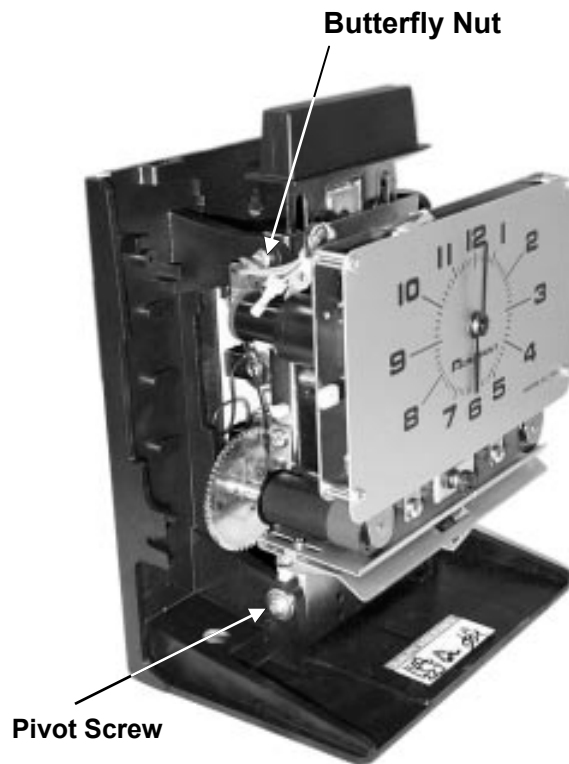


Figure 1

# Battery Powered Clock User Instructions

## Acroprint Model 125 Time Clocks

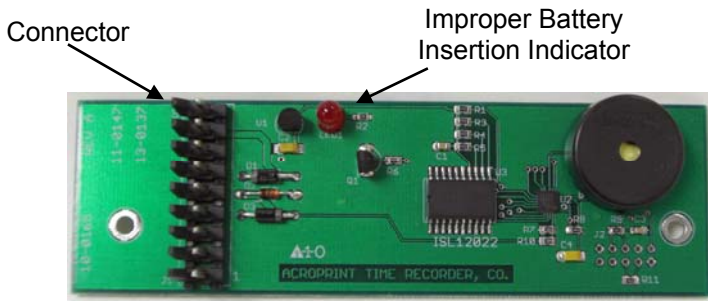
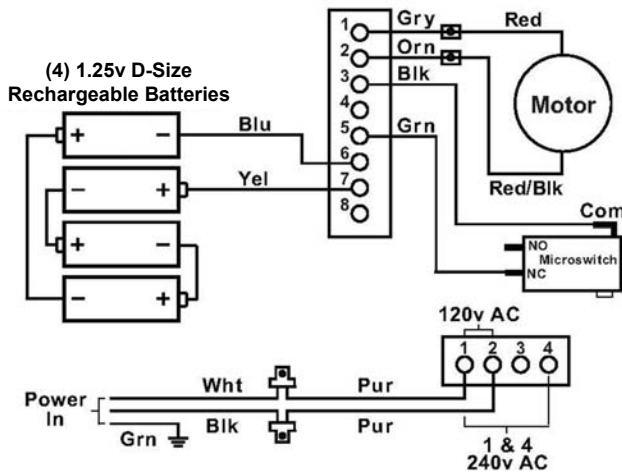


Figure 2

### BP125-R6: 6-Volt Rechargeable Time Clock

BP125-R6 Recorder includes four (4) rechargeable batteries.

**IMPORTANT:** Before setting the recorder, plug the machine in for at least 15 minutes to allow the batteries to charge to operating voltage.



### 125 Rechargeable (120V/240V AC)

### BP125-12: 12-Volt Battery Powered Time Clock

The BP125-12 Recorder is designed to operate from a 12 Volt DC automobile battery. Acroprint recommends the recorder be connected directly to the Battery to insure a constant power supply.

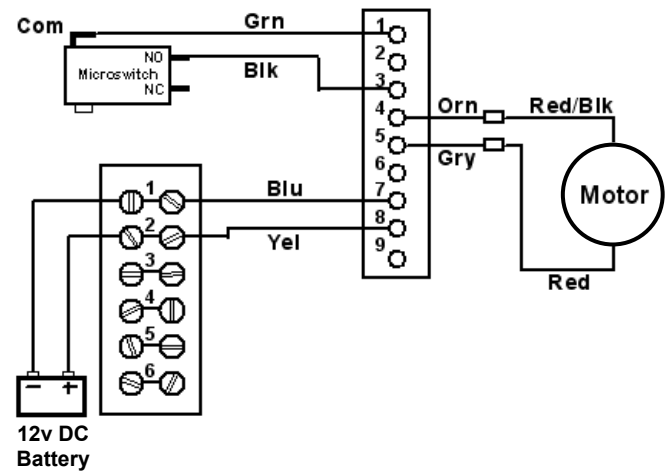
Supplied are two (2) "ring" terminals for the battery connection and two (2) "Y" terminals for connection to the recorder terminal block.

You will need two (2) wires cut to the proper length for your application. Acroprint recommends No. 20 gauge stranded copper wire for this application.

### BP125-12 Installation:

- Connect a "ring" terminal to one end of each wire and a "Y" terminal to the other end.
- Locate the six (6) position terminal block mounted to the time recorder's back case.
- Connect one "Y" terminal to terminal No. 1 of the terminal block and the other end to ground.
- Connect the other "Y" terminal to terminal No. 2 of the terminal block and the other end to the positive battery post.

Note: The wires can be run through the firewall of a vehicle using an existing opening for air conditioning or heater hoses. If necessary, you may drill a hole in the firewall at a place where there are no obstructions under the hood. The unit can be professionally installed by a garage specializing in automobile electrical services.



### 125 Battery Powered (12V DC)



### JAEGGI Zeiterfassung GmbH

Industriering 7a - CH-3250 Lyss  
 Tel.: +41 32 384 50 51 - Fax: +41 32 384 72 11  
[info@jaeggi-co.ch](mailto:info@jaeggi-co.ch) - [www.jaeggi-co.ch](http://www.jaeggi-co.ch)